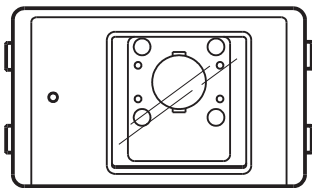


Voyager®

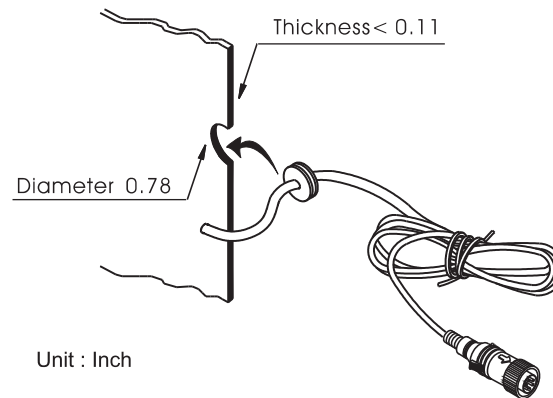
NTSC SYSTEM VCCM130CT

VCCM130CT Features:

- High Resolution, 1/4" CMOS Adjustable Tilt Color Camera
- Compact / Lightweight Aluminum Die Cast Body
- Waterproof Design
- Microphone
- Motorized Adjustable Vertical Viewing Angle Control
- Adjustable Mounting Angle
- Wide Angle Lens
- Aluminum Bracket and SS. Hardware included
- IR LED Low Light Enhancement

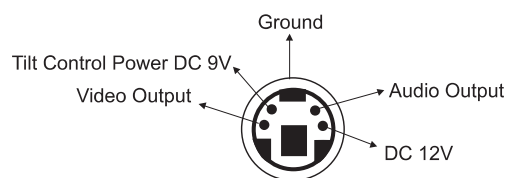


Recommended grommet Hole & Mtg. thickness

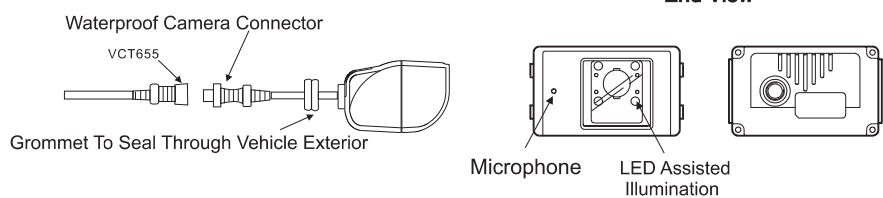


Contents:

- Camera
- Bracket
- Hardware Kit



Installation and Pin Out:



Camera to bracket hardware

Specifications	Q'ty
 Hex Socket Head M4X10L Stainless screws	4
 Spring Washers 4X7X1.2mm Stainless	4
 Flat Washers 4x10x.5mm Stainless	4
 Allen wrench	1

Bracket to vehicle hardware

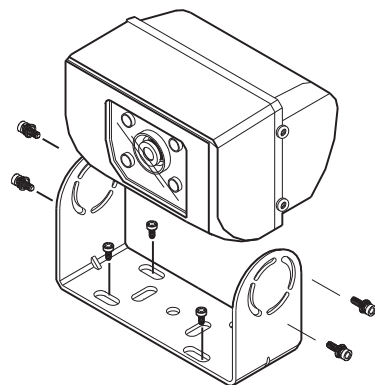
Specifications	Q'ty
 Tapping P/H W/Washer 5X16mm Stainless screws	4
 Machine Screw T/H M5X16mm Stainless	4
 Locking nuts M5 stainless	4

Installation

Screw For Use

- Hex Socket Head M4X10L Stainless screws
- Spring Washers 4X7X1.2mm Stainless
- Flat Washers 4x10x.5mm Stainless
- Allen wrench

- Tapping P/H W/Washer 5X16mm Stainless screws
- Machine Screw T/H M5X16mm Stainless
- Locking nuts M5 stainless

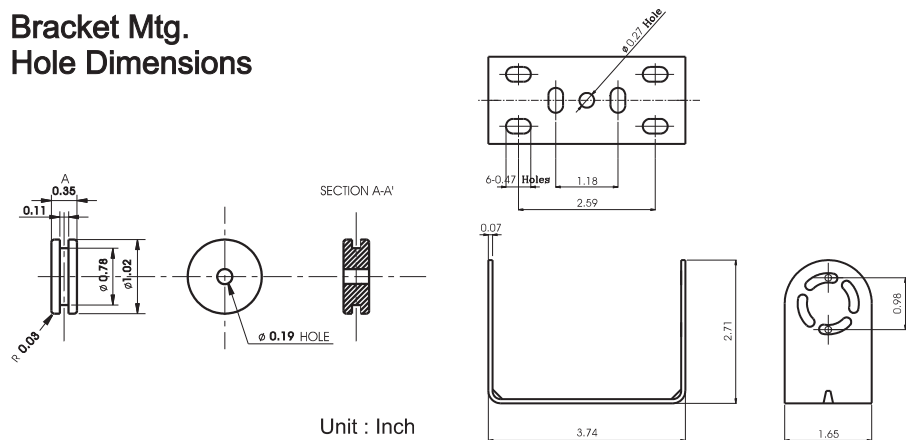


Specifications

- Signal System : NTSC
- Image Sensor : 1/4" COLOR CMOS W/electronic auto-iris
270K pixels
- Viewing Angle : 66°(H), 49°(V), 83°(D)
- Outer Dimensions : 91 (W) X 53 (H) X 81 (D) mm
3.6 (W) X 2.1 (H) X 3.2 (D) Inch
- Weight : 0.5kg/ 1.1lbs

* Specifications are subject to change without notice.

Bracket Mtg. Hole Dimensions



ASAelectronics
THE MOBILE ELECTRONICS COMPANY SINCE 1977
www.asaelectronics.com